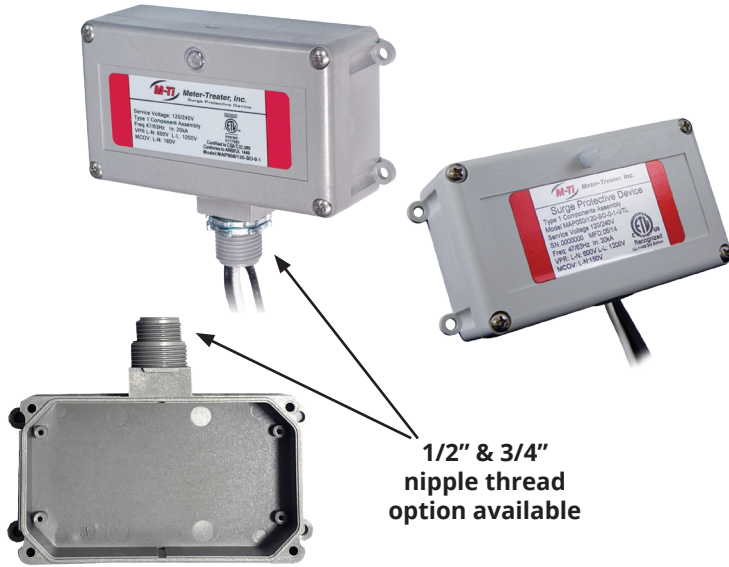


M-Ti MAP Series

Universal Surge Protection Device



1/2" & 3/4"
nipple thread
option available

Meter Treater's MAP Series, represents a new era in surge protection with our "one size fits all" application flexibility. All units contain short circuit and thermal fusing, and our "Smart Sensing Technology" that distinguishes between surges and over-current events.

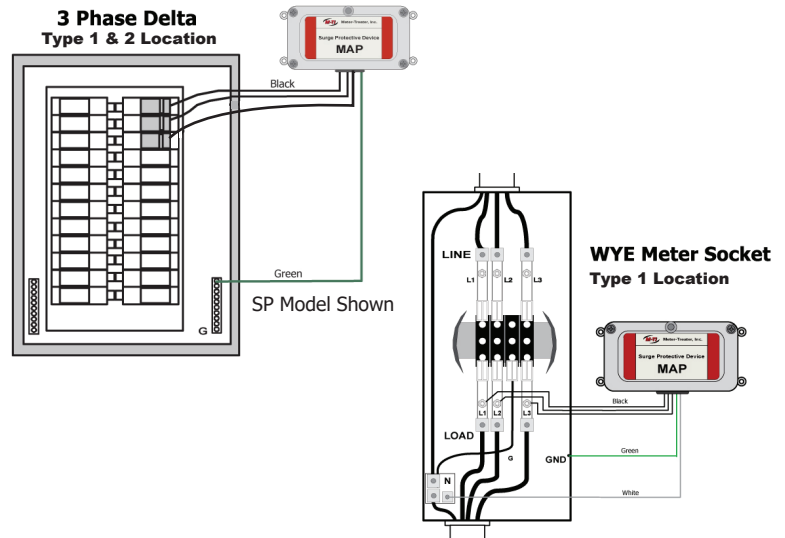
This new suppressor package meets the current industry standards and stops surges right at the electric meter before they can enter a facility. The MAP Series is a Type 1 or Type 2 Surge Protection Device (SPD) that is listed to ANSI/UL 1449.

The inventive design, performance and universal application features of the MAP, makes it the ideal choice for Commercial and Light Industrial applications.

Product Specifications

I_N	10/20kA (Nominal discharge current)
Max Surge Current	150kA (50kA per phase)
Max Load Current	up to 800 Amps Continuous
Fusing*	Thermal and Short Circuit Fusing
Short Circuit Current	100kA RMS Symmetrical Amps
Diagnostics	Fiber Optics
Housing Rating	NEMA 1 Standard with NEMA 4X Optional
Enclosure	Polycarbonate
Safety Standards (Type 1 SPD)	UL 1449 (most current)
Operating Frequency	50/60 hZ
* No external fusing required.	
Note: Other options available. Contact the factory.	

Typical Installations



Model Number	Service Voltage	MCOV	VPR			
			L - N	L - G	N - G	L - L
MAP050/120-10-0-2	120 Single	150	600	600	1200	-
MAP050/120-1P-0-2	120 Volt	150	600	---	---	---
MAP050/120-SO-0-1	120/240 Volt	150	600	---	---	1200
MAP050/125-SO-0-1	120/240 Volt	150	600	---	---	1200
MAP050/120-SP-0-2	120/240 Split	150	600	1200	600	1200
MAP050/120-3W-0-2	120/208 Wye	150	600	1200	600	1200
MAP050/120-3H-0-2	120/240 Highleg	150	600/1000	1200/1800	600	1200/1800
MAP050/240-3D-0-2	240 Delta	320	-	1000	-	2000
MAP050/240-2P-0-1	240 Volt Two Phase	320	-	1000	-	2000
MAP050/277-3W-0-2	277/480 Wye	320	1000	2000	1000	2000
MAP050/480-3D-0-2	480 Delta	550	-	1800	-	4000
MAP100/120-10-0-1	120 Volt Single Phase	150	600	600	1200	-

All product dimensions provided are ± 0.125

800.638.3788
561.845.2007

sales@metertreater.com



www.metertreater.com



1349 South Killian Drive
Lake Park, FL 33403

Dimensions
(Diagrams not drawn to scale)

